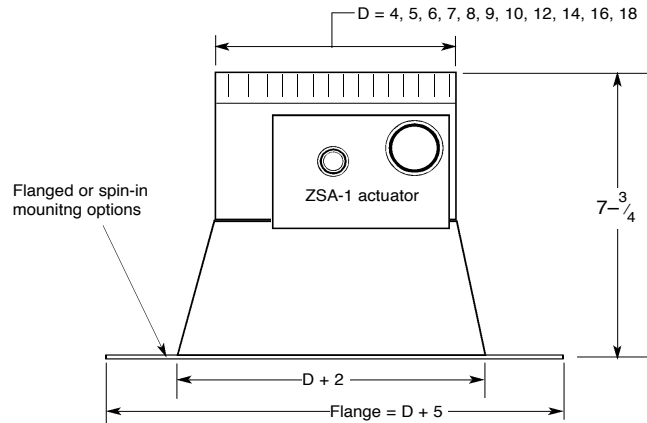


**Wireless Remote Control System for Air Balancing Damper Adjustments**

**The Series ZTC Conical Single Blade Damper**

The ZTC dampers install easily on flat duct sections and are designed for air flow control, not tight shutoff

The ZTC is available with peel-and-stick or screw-on flanges.



**The Series ZTC standard construction:**

Frame: 26 gauge galvanized

Blade: 26 gauge galvanized with 'V' groove across the center for rigidity.

Shaft: 3/8 inch square galvanized

Bearings: Molded nylon insert

Available sizes: 4 inch through 18 inch diameter

The opening is 1/8 inch under listed size for an easy hook up

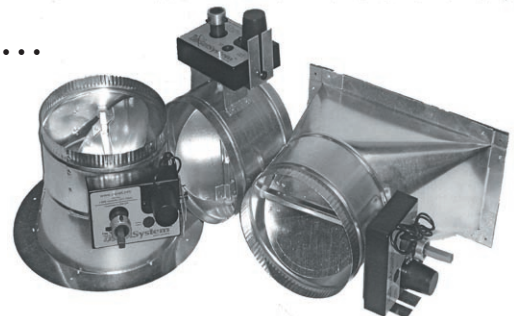
**Other configurations of the single blade balancing damper . . .**

Bellmouth, inline, straight sided and 45° takeoffs; 4" – 20"

26 gauge galvanized; 3/8" shaft with molded nylon bearings

Flanged frame with or without "peel-and-stick" mounting.

Shown at the right with the ZSA-1 actuator.



Even a well-designed HVAC system may perform poorly and waste energy if not properly balanced. The Zipset System's unique approach to the air balancing task offers a quick, precise, and economical solution.

The Zipset System is a product of The Zip Group, LLC

www.zipset.net zipset@zipset.net 888-zipset4U (947-7384) 888-237-2343 f  
2711 Centerville Road Suite 120-6370 Wilmington, DE 19808